

SHILPA

SHILPA MACHINERY TECHNOLOGIES PVT. LTD.

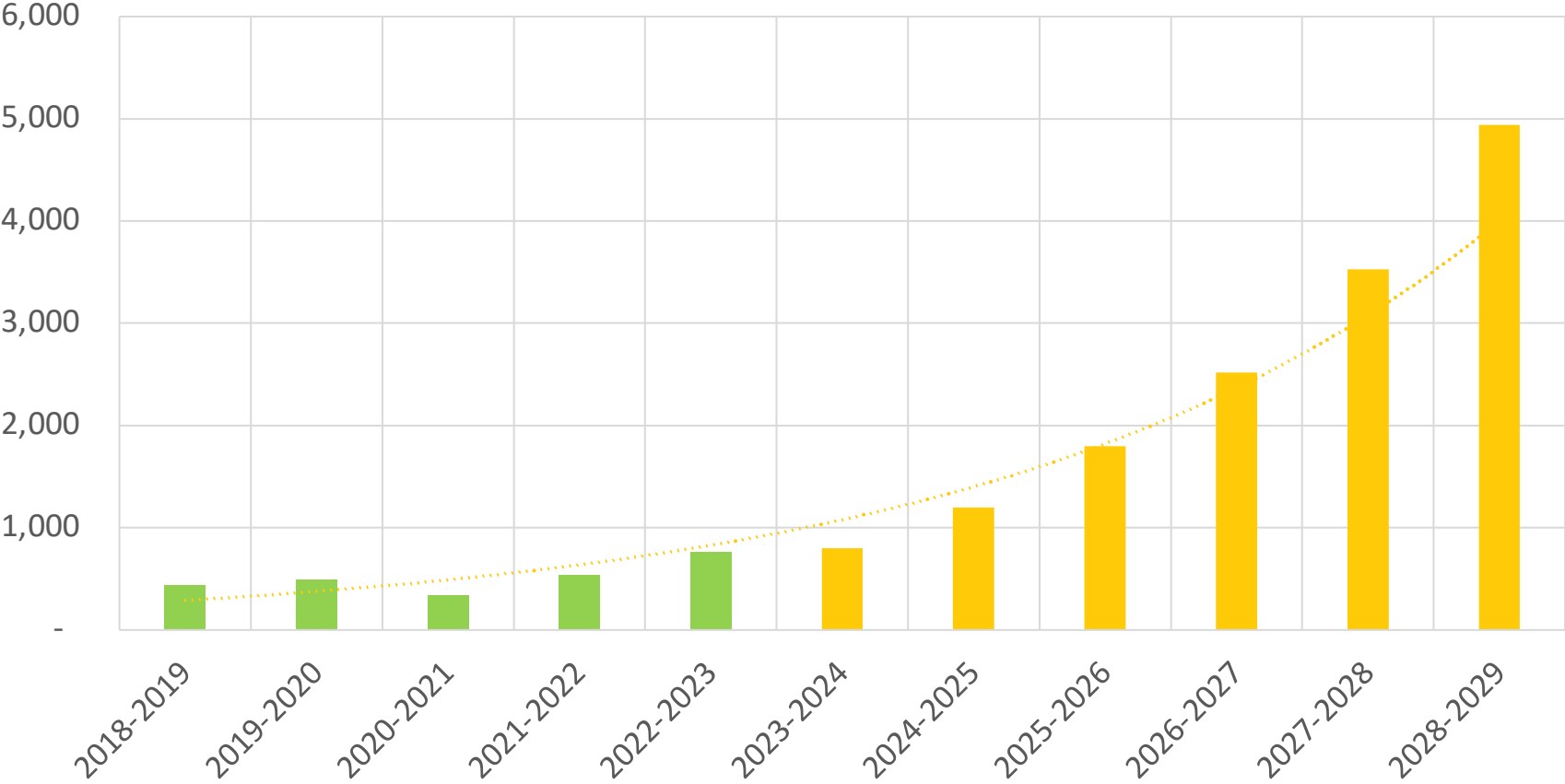
An ISO 14001, ISO 9001, ISO 3834 and ISO 45001 certified Organization

Company Overview :

Year of Establishment:	1993
Directors:	Mr. Jagjit Singh Bhurjee Mr. Shashi Khatal Mr. Ankit Handa Mr. Pankaj Singh
Manufacturing Units:	Unit 1- Sawardari, Pune, India (1,40,000 sq ft) Unit 2- Bhamboli, Pune, India (50,000 sq ft)
Core Operations:	Manufacturing of heavy equipment and special purpose machines.

Business Growth:

Turnover (In Millions)



Customers :



Expansion Plan:

Future Investments:

1. Gantry moving vertical machining center – 13.5 m x 2.8 m (March 2024)
2. Gantry moving vertical machining center – 13.5 m x 2.8 m (November 2024)
3. Additional Facility of 120,000 Sq Ft (June 2024)
4. A manufacturing unit of 10 acres, within which 5 acres are dedicated exclusively towards fabrication.

Markets Targeted:

1. Dubai – established our trade organization: **Shilpa Middle East FZCO. (Completed)**
2. Gujarat – setting up our 3rd manufacturing unit. (October 2024)
3. Pune – technological advancements and infrastructure upgrades in our manufacturing units.

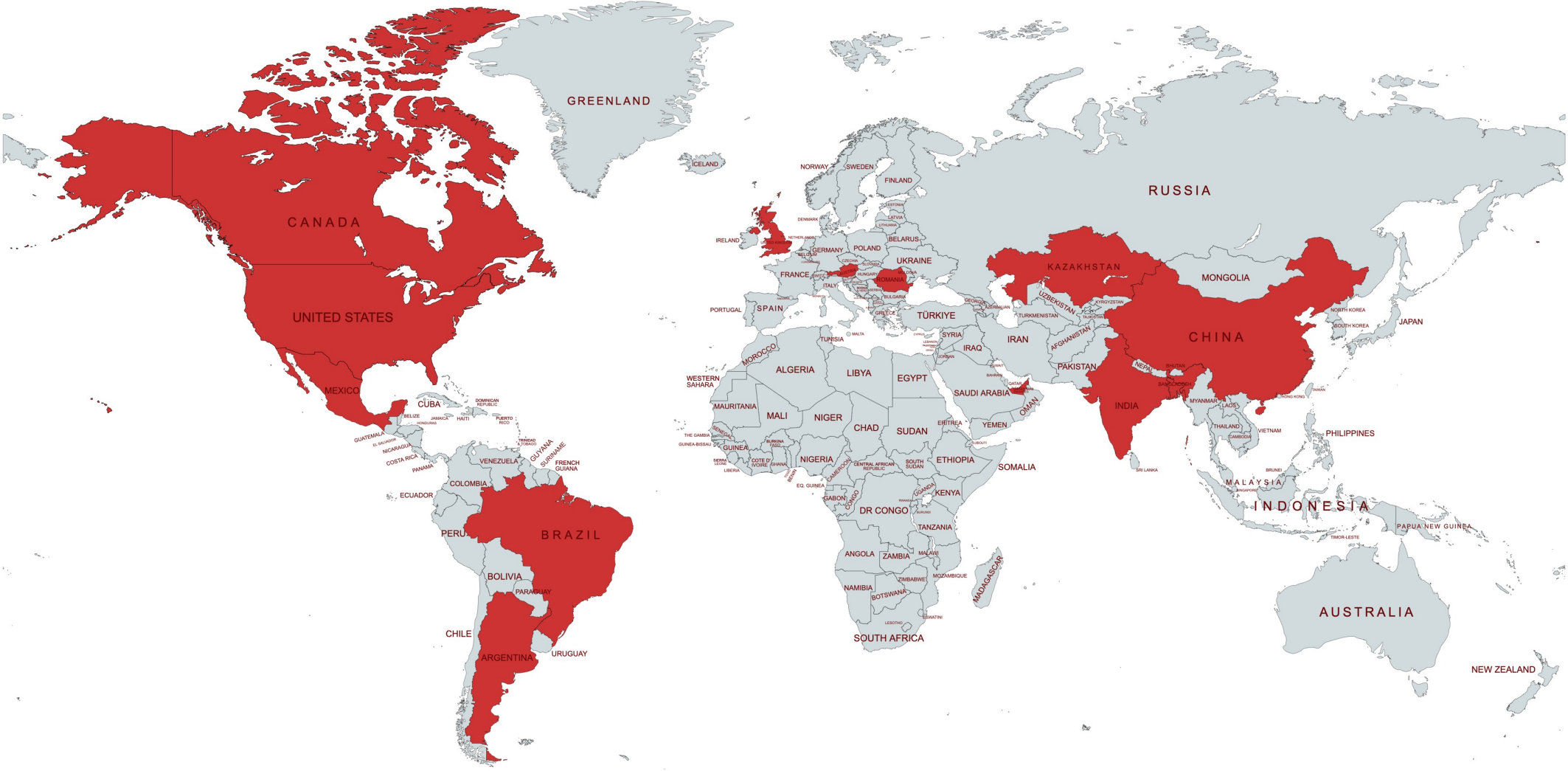


CNC Press Brake (bending) machine: 600-ton x 6 m (August 2024)



Laser cutting machine: 3 m x 12 m x 12 kw (August 2024)

Global Footprint:



A vertical strip on the left side of the page contains several technical line drawings of industrial machinery, including what appears to be a lathe, a mill, and various gears and shafts.

Vision:

Our vision is to become a global leader in the manufacturing of steel components, recognized for our unwavering commitment to quality, innovation, and customer satisfaction.

We aspire to create long-lasting relationships with our clients by consistently delivering exceptional products and services that contribute to their success.

By fostering a culture of continuous improvement, collaboration, and environmental responsibility, we will empower our team to drive growth and create value for our stakeholders, while positively impacting the communities in which we operate.

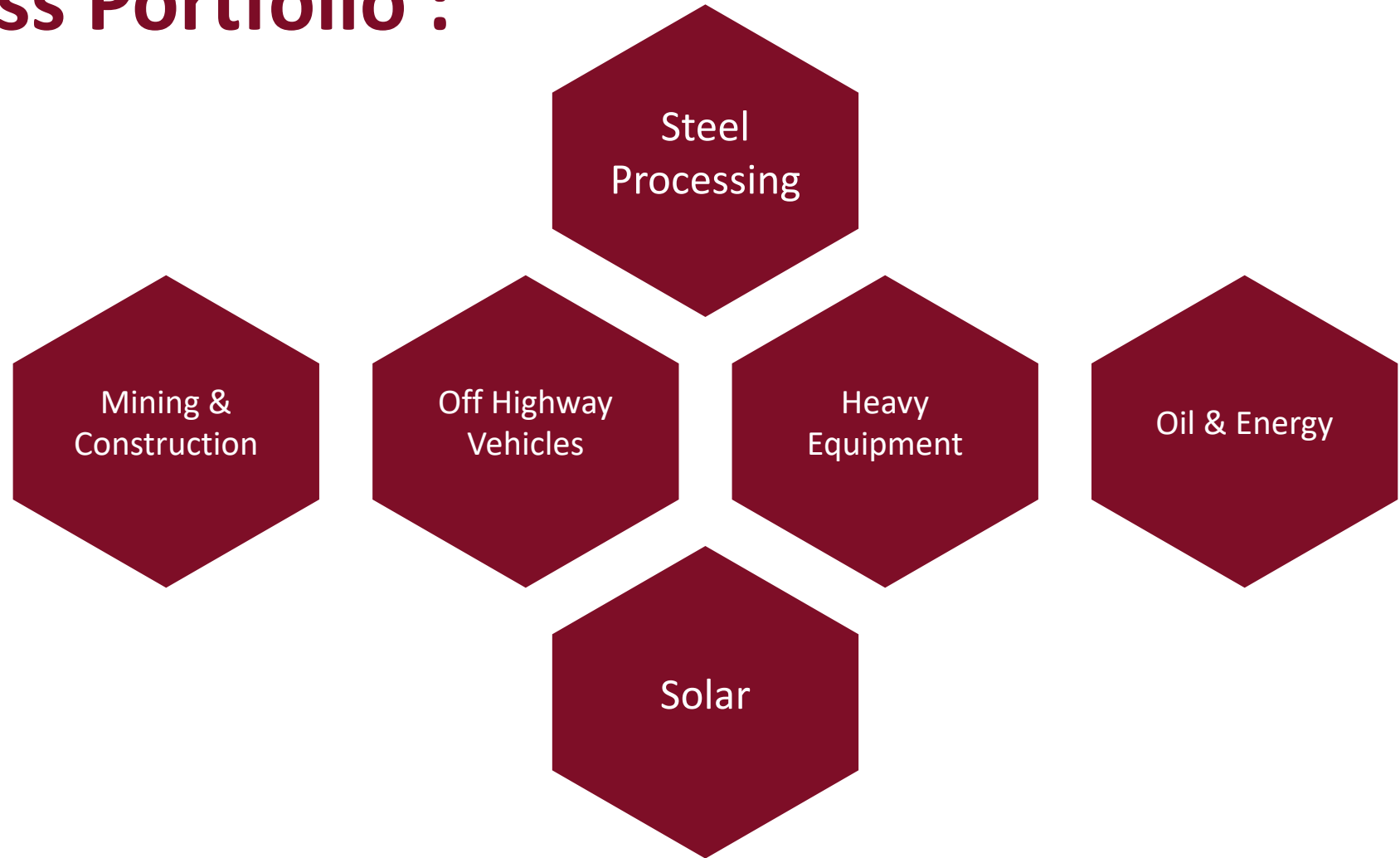
Mission:

At Shilpa Machinery Technologies Pvt Ltd, our mission is to provide exceptional manufacturing solutions for a diverse range of industries by leveraging our expertise in steel component production.

We are committed to delivering high-quality, reliable, and cost-effective products that exceed our customers' expectations.

Through continuous innovation, investment in cutting-edge technology, and a focus on sustainable practices, we aim to strengthen our position as a trusted partner for businesses worldwide.

Business Portfolio :



In House Processes :

- Design engineering
- Fabrication
- Machining
- Shot blasting and painting
- Assembly
- Fixture Manufacturing
- Special purpose machinery manufacturing

MACHINING FACILITY

Serial No.	Machine Name	Table size (mm)	X - axis (mm)	Y – axis (mm)	Z – axis (mm)
1.	Four Star VMC - 1	7000 x 1500	7000	2400	1700
2.	Four Star VMC - 2	7000 x 1500	7000	2400	1700
3.	Four Star VMC - 3	3000 x 2000	3000	2750	1100
4.	Four Star VMC - 4	3000 x 2000	3000	2750	1100
5.	Four Star VMC - 5	4000 X 2000	4200	2400	1100
6.	KEARNS RICHARDS NC.130 CNC HBM	1500 X 1500 – 2 Nos.	2650	2000	1500
7.	JUARISTI CNC HBM	1400 X 1200	2200	1400	700
8.	DOOSAN HM 8000 HMC	800 X 800 (Twin Pallet)	1200	1000	1000
9.	TOS-1 CNC HBM	1400 X 1250	1600	1360	700
10.	LAZZATI CNC HBM	1525 X 1220	2400	1200	1600
11.	UNION CNC HBM	1400 X 1250	1400	1250	500
12.	Unisign Uniport 5 V-H Machining Centre	6000 X 2380	5400	2400	750
13.	AGMA VMC	3000 X 1500	3200	1700	800
14.	AWEA VMC	2000 X 1500	2000	1500	500
15.	WOTAN CNC HBM	1500 X 1500	2500	2100	700
16.	HAITIAN VMC-GLU 16X25	2500 X 1500	2500	1500	760
17.	HAITIAN VMC-GLU 18X30	3000 X 1500	3200	1700	1000
18.	HAITIAN VMC-GLU 28X50	2000 X 5000	5500	2700	1000
19.	HAITIAN VMC-GLU 28X50	4000 X 2000	4200	2770	1300
20.	HAITIAN VMC-GLU 28X50	2500 X 1500	2500	1500	760
21.	Radial tap & drill machine	1000 x 2000	-	-	-

MANUFACTURING CAPACITY

Machine Type	Capacity	Accuracy	Nos
Bandsaw Machine	Cutting Capacity DIA 350 mm		2
	Degree Cutting		1
Radial Drill Machine	Drilling Capacity 38 mm		3
	Drilling Capacity 85 mm		1
Tapping Machine	Up to M24		1
Lathe Machine			1
Plasma cutting			1
CNC 12 KW laser cutting	Up to 30 mm	0.5 mm	1
CNC press brake 400 T x 6000 mm 5 axis	Bending accuracy- 0.5 mm	R1	1

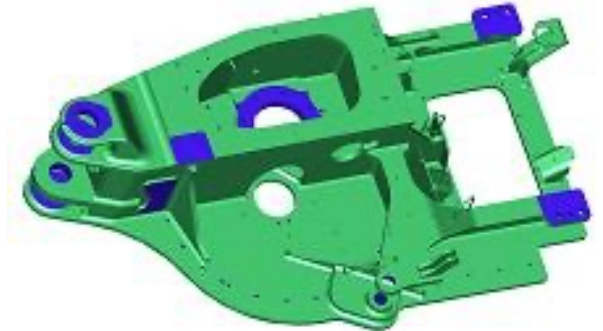
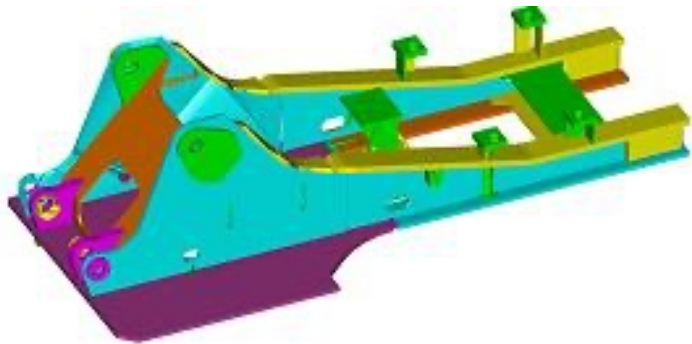
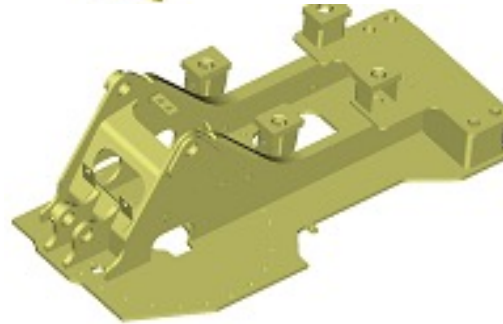
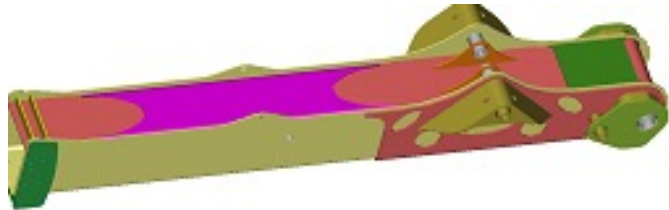
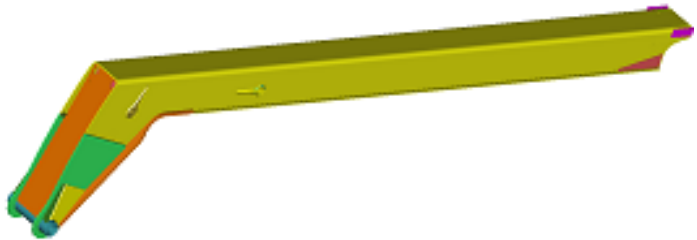
HANDLING CAPACITY

Equipment Type	Capacity	Nos
Over Head crane	5 Ton	8
	3.2 Ton	6
Zip Crane	1 Ton	2
Forklift	3 Ton	1
Hand Pallet Truck	1 Ton	1

WELDING CAPACITY

Machine Type	AMP	Make	Nos
GMAW Welding Machine	600 Amp	Ador	25
	400 Amp	Ador	19
	250 Amp	Ador	2
GTAW Welding Machine	600 Amp	Ador	2
Total Welding Machine			48

MANUFACTURING – PART GALLERY



Wirtgen Chassis Manufacturing:



MFL R-200 Chassis:



Rotunda Manufacturing:



Tunnel manufacturing:



Truss Manufacturing:



Machine Name : Finishing Line

- **Installed :**
 - **At Daramic Tianjin, China.**
 - Year – 2017-18**



Machine Name : Re-Inspection Machine.



- **Installed :**
 - At Daramic Tianjin, Thailand.**
 - Year – 2016-17**

SPM FOR OPTICAL FIBRE INDUSTRY

SHILPA

Machine Name : D2 Chamber.

Application :

To process optical fiber wires with Deuterium Gas with the pressure of 3.2kg/CM²
Operation Time - 12 hours.

➤ **Installed :**

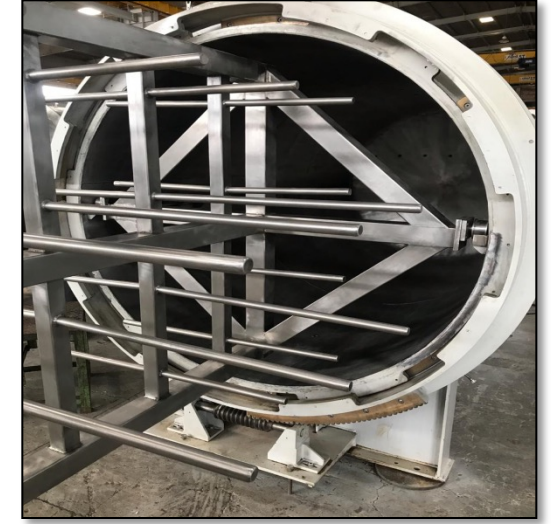
➤ At Sterlite Technologies Pvt Ltd. China

Year - 2013 - Qty - 3 Units

➤ AT Sterlite Technologies Pvt Ltd. Waluj

Year - 2013 - Qty - 3 Units

Year - 2019 - Qty - 6 Units



SHILPA MACHINERY TECHNOLOGIES PRIVATE LIMITED.

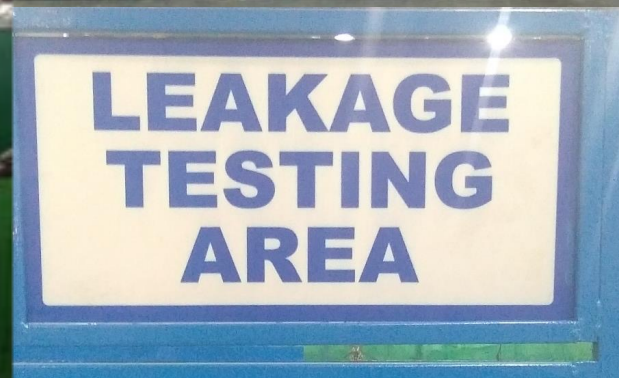
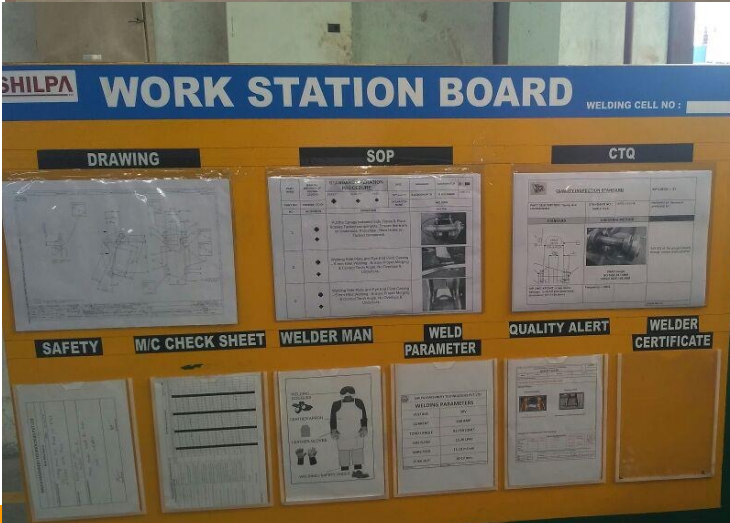
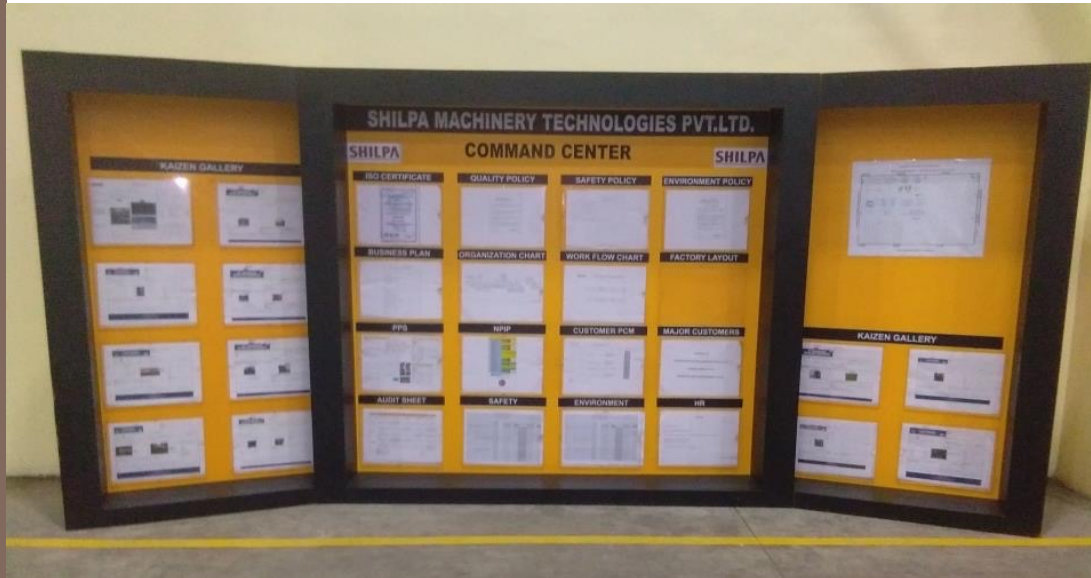


Shot Blasting Booth
SIZE :- 15.5 Mtr X 6 Mtr X 5.5 Mtr Height



Down Draft Paint Booth
SIZE :- 15.5 Mtr X 4 Mtr X 5.5 Mtr Height

VISUAL FACTORY



INHOUSE INSPECTION FACILITY



**DIGITAL
VERNIER**



BORE GAUGE



MPT YOKE



SLIP GAUGE



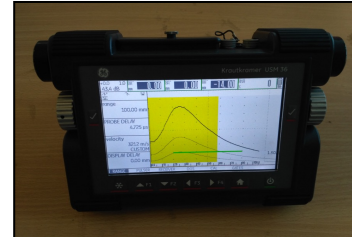
**SURFACE
ROUGHNESS
TESTER**



DIGITAL VERNIER



MICROMETER



UT



**SURFACE ROUGHNESS
COMPARATOR**



DFT METER



**CROSS HATCH/
ADHESION
TESTER**



3D LASER MACHINE

Manufacturing Units in Pune:



THANK YOU

For all enquires, Contact Us:

Phone no: +91 8380004616 , +91 9822599850 (Mr. Prakash Shinde) , +91 8380006140 (Meher Bhurjee)

Email id: prakash.shinde@shilpamachinery.com , meher@shilpamachinery.com

Address: UNIT - 1 | B3, Chakan MIDC, Phase 2, Sawardari, Tal – Khed, Pune, Maharashtra, India – 410501
UNIT - 2 | Plot no S117, Chakan Industrial Phase 2, Bhamboli, Tal– Khed,
Pune, Maharashtra, India – 410501.

Website: <https://shilpamachinery.com/>